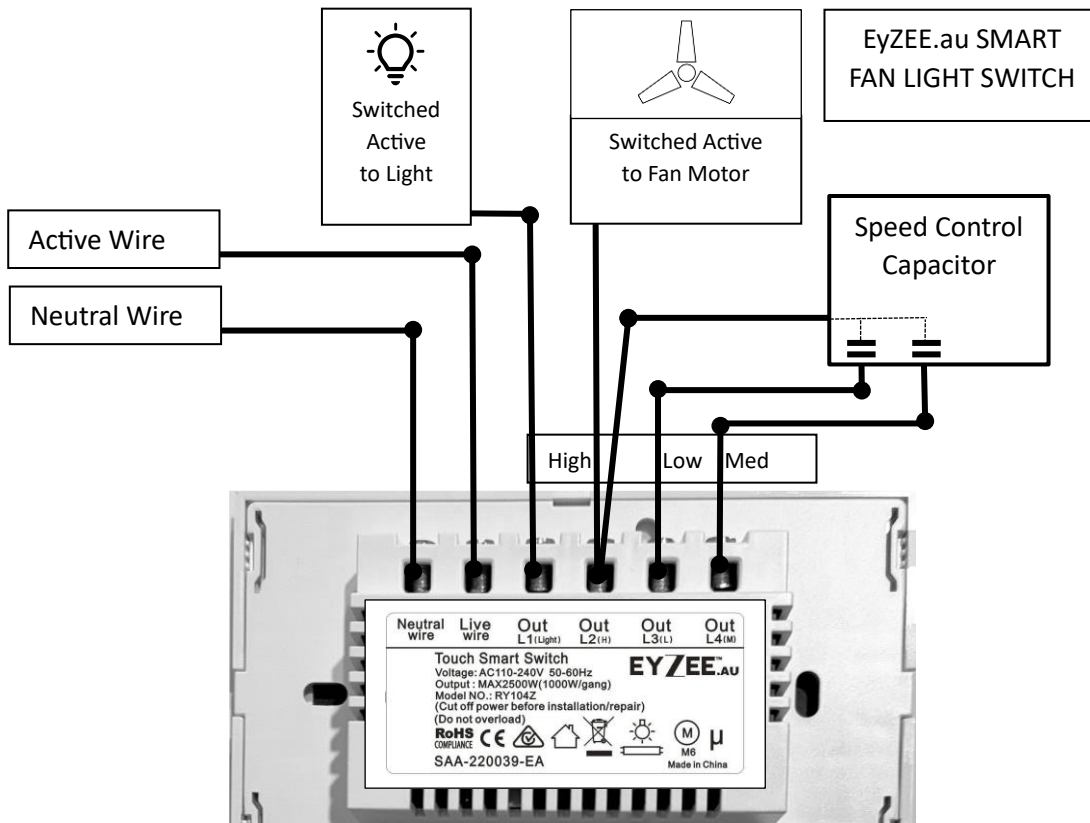
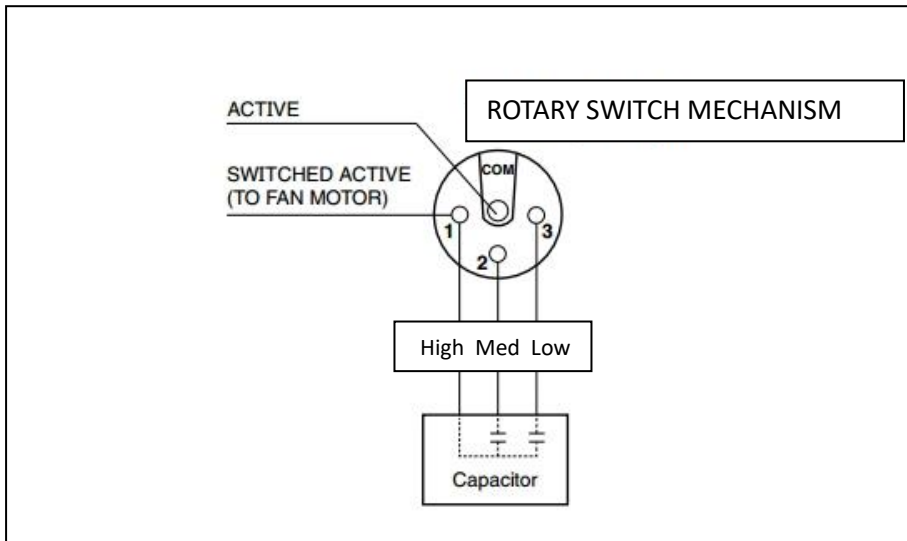


Circuit comparison guide to replace rotary fan switch with EyZEE.au brand Zigbee Fan/Light smart switch.



Some common capacitor wiring colour schemes used in AU/NZ (Electrician guide only)

BRAND	SPEED>>	(1)HIGH	(2)MED	(3)LOW
HPM Vivo		Grey	Blue	Orange
DETA/Clipsal/Schneider		Red	Purple	Orange
Supplied with switch		Red	Blue	Black

NOTE: All electrical installation must be completed by registered electrician
NOTE: Faceplate is reversable so Light/High/Med/Low order may be reversed